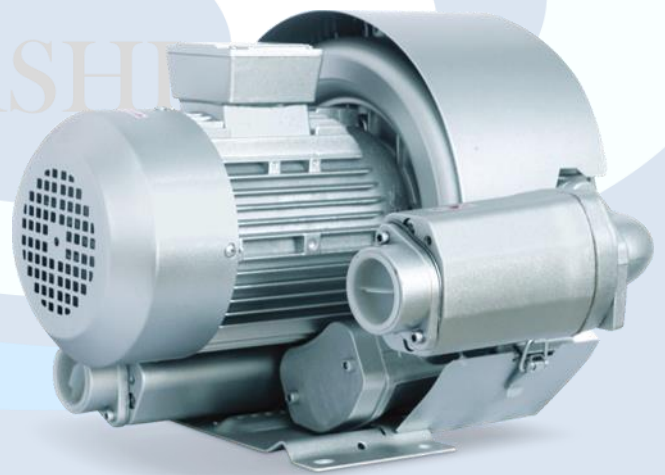




HISASHI INDUSTRIES

SINGLE & DOUBLE STAGE RING BLOWERS



HISASHI

BREATH HEALTHY-STAY PROTECTED
www.hisashiindustries.in, 9871013815
info@hisashiindustries.in , hisashiindustries@gmail.com



HISASHI INDUSTRIES

SINGLE STAGE RING BLOWER/TURBINE BLOWER



ALL BLOWER'S RPM IS 2880

MODEL	KW	HP	VOLT	AMP	NOISE db	AIR FLOW M3/H	CFM	LPM	VAC (mbar)	PRE (mbar)	KPA	WEIGHT (KG)	OUTLET DIA (INCHES)
HIS-210	.25	.3	415/220	1.2/2.0	53	80	47	1333	90	100	10	6.5	1"
HIS-211	.37	.5	415/220	1.6/2.6	55	80	47	1333	110	125	12.5	11.0	1 ¼"
HIS-410	.75	1	415/220	2.2/3.8	58	145	85	2416	140	150	15	14.5	1 ½"
HIS-511	1.1	1.5	415/220	3.5/6.0	63	210	123	3500	180	195	19.5	21.0	2"
HIS-512	1.5	2	415/220	3.8/7.7	70	210	123	3500	190	205	20.5	22.0	2"
HIS-610	2.2	2.9	415/220	5.6/9.7	70	318	187	5300	230	270	25	32.0	2"
HIS-713	4.0	5.3	415	9.5	72	318	187	5300	270	330	33	38.0	2"
HIS-811	5.5	7.3	415	12.9	74	530	311	8833	275	300	30	78.0	2 ½"
HIS-812	7.5	10	415	16.7	74	530	311	8833	350	395	39.5	82.0	2 ½"

BREATH HEALTHY-STAY PROTECTED

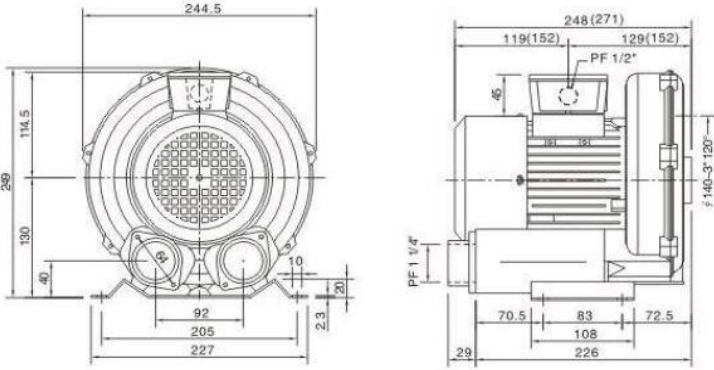
www.hisashiindustries.in, 9871013815

info@hisashiindustries.in , hisashiindustries@gmail.com

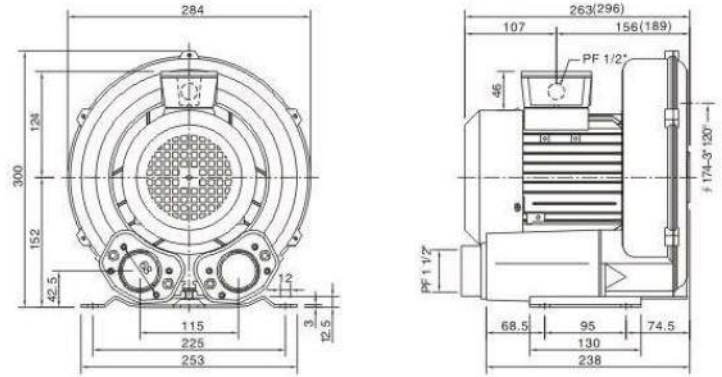


HISASHI INDUSTRIES

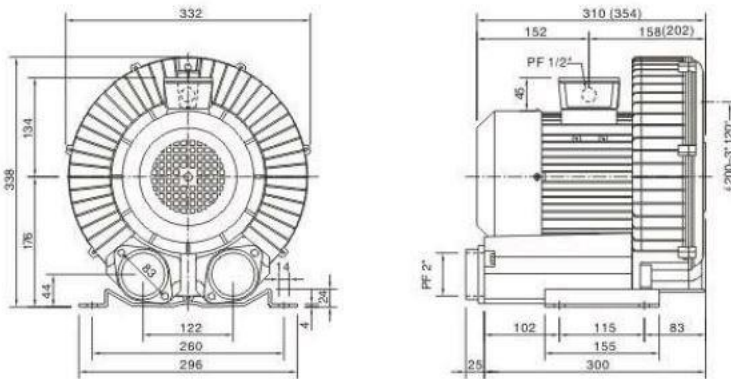
HIS-211 .5 hp RING BLOWER DRAWING



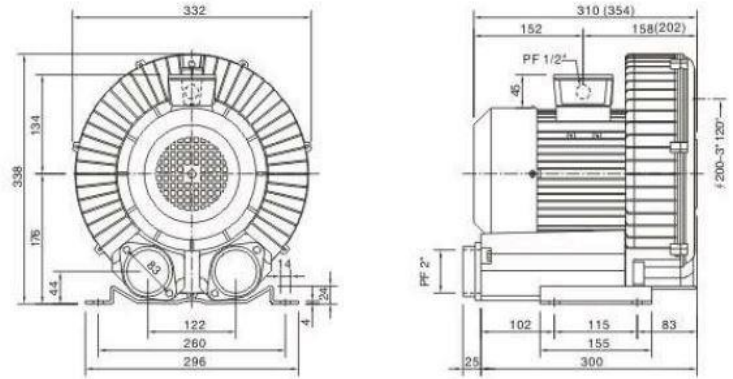
HIS-410 1 hp RING BLOWER DRAWING



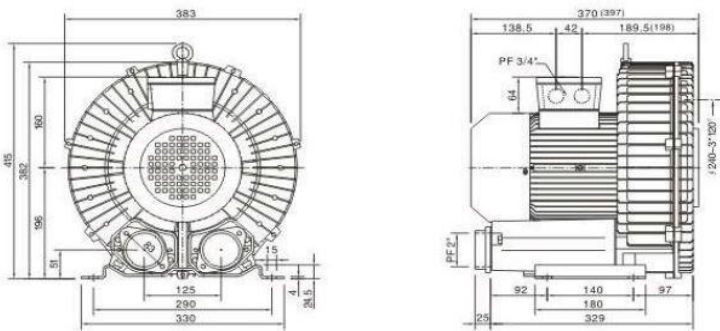
HIS-511 & 512 1.5 hp & 2hp BLOWER DRAWING



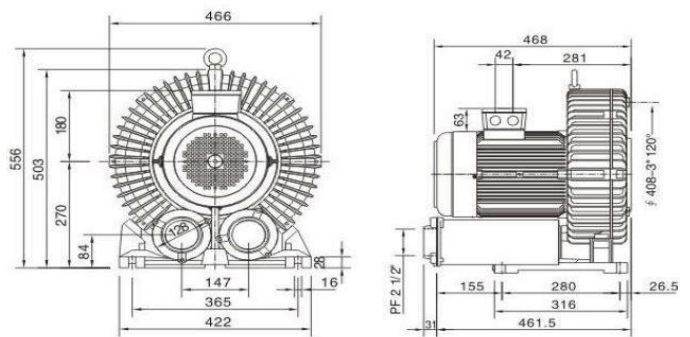
HIS-610 3 hp BLOWER DRAWING



HIS-713 5hp BLOWER DRAWING



HIS-811&812 7hp & 10hp BLOWER DRAWING

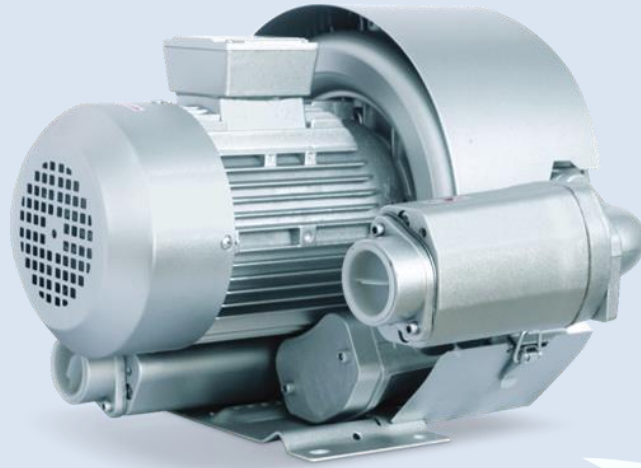


BREATH HEALTHY-STAY PROTECTED
www.hisashiindustries.in, 9871013815
info@hisashiindustries.in , hisashiindustries@gmail.com



HISASHI INDUSTRIES

DOUBLE STAGE RING BLOWER



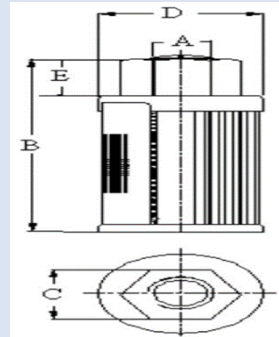
MODEL	KW	HP	VOLTAGE (V)	CURRENT (A)	STATIC PRESSURE VACUUM/COMPRESSOR (mbar)	MAX VOLUME (m3/hr)	NOISE (db)	WEIGHT (KG)	OUTLET DIA (INCHES)
HIS-410-DS	.75	1	220~415	3.45-2.0	200/240	90	60	17	1 ¼"
HIS-512-DS	1.5	2	220~415	6.7-3.9	275/320	156	66	25	1 ½"
HIS-610-DS	2.2	2.9	220~415	7.8-4.5	280/370	156	66	28	1 ½"
HIS-713-DS	4.0	5.3	220~415	14.3-8.3	360/380	312	75	55	2"
HIS-811-DS	5.5	7.3	220~415	21.0-12	410/515	312	75	75	2"
HIS-812-DS	7.5	10	220~415	27.0-15.6	420/580	312	75	83.5	2"

ALLUMINIUM AIR SUCTION FILTER

BREATH HEALTHY-STAY PROTECTED
www.hisashiindustries.in, 9871013815
info@hisashiindustries.in , hisashiindustries@gmail.com



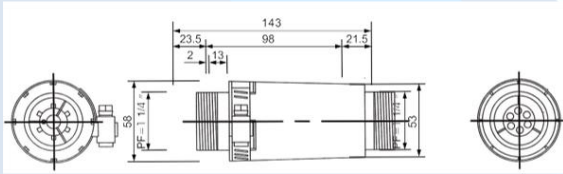
HISASHI INDUSTRIES



THREAD SIZE (A)	FLOW (LPM)	LENGTH (B)	NUT (C)	CAP DIA (D)	NUT LENGTH (E)
3/4"	28	108	36	63	15
1"	40	137	45	63	15
1 1/4"	60	139	51	85	13
1 1/2"	80	168	60	85	14
1 1/2"	120	200	60	85	14
2"	160	222	70	100	15
2 1/2"	300	213	90	150	25
3"	400	278	100	150	25
3"	600	348	100	150	25

HISASHI

PRESSURE RELIEF VALVE



Type	(PT)	L (mm)	Dimension
RV - 01	1 1/4"	143	0~3000 mmQq
RV - 02	1 1/4"	143	0~6000 mmAq

BREATH HEALTHY-STAY PROTECTED

www.hisashiindustries.in, 9871013815

info@hisashiindustries.in , hisashiindustries@gmail.com